

# PRODUCT INFORMATION PACKET



Model No: 048A11T198  
Catalog No: 048A11T198  
Fan and Blower Motor, 0.25 HP, 1 Ph, 60 Hz, 115 V, 1200 RPM, 48Z Frame, TEAO



Regal and Leeson are trademarks of Regal Rexnord Corporation or one of its affiliated companies.  
©2024 Regal Rexnord Corporation, All Rights Reserved. MC017097E





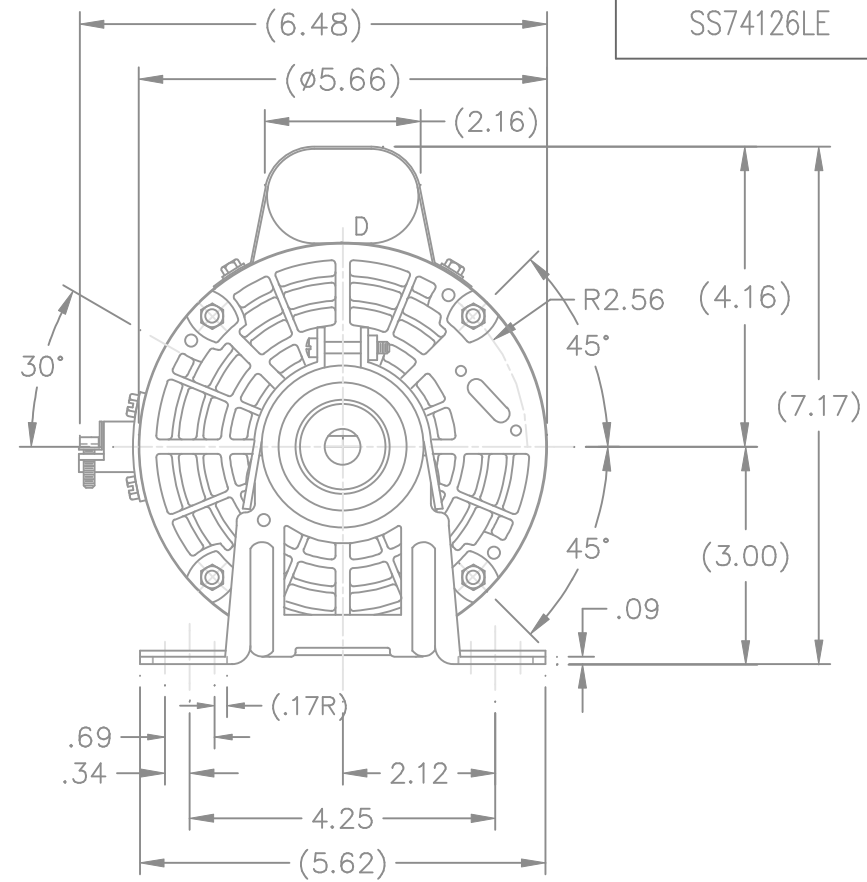
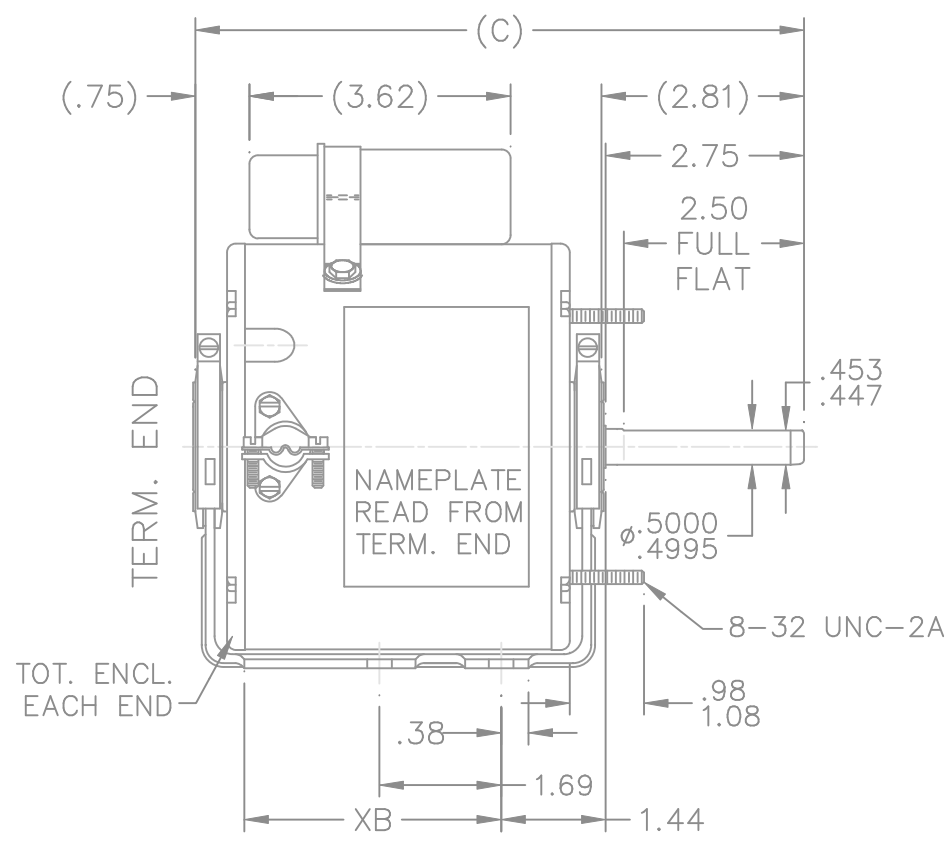
**Nameplate Specifications**

Phase	1	Output HP	0.25 Hp
Output KW	0.18 kW	Voltage	115 V
Speed	1075 rpm	Service Factor	1.0
Frame	48Z	Enclosure	Totally Enclosed Air Over
Thermal Protection	Automatic	Efficiency	59.5 %
Ambient Temperature	40 °C	Frequency	60 Hz
Current	4.1 A	Power Factor	81.5
Duty	Continuous	Insulation Class	B
Design Code	NO DESIGN CODE	KVA Code	D
Drive End Bearing Size	6203	Opp Drive End Bearing Size	6203
UL	Recognized	CSA	Y
CE	N	IP Code	43
Number of Speeds	1		

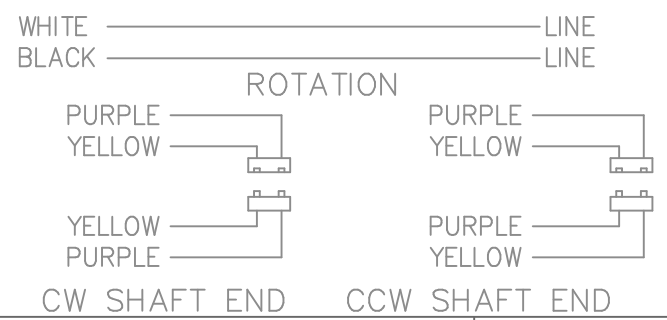
**Technical Specifications**

Electrical Type	Permanent Split Capacitor	Starting Method	Across The Line
Poles	6	Rotation	Selective Counterclockwise
Resistance Main	0 Ohms	Mounting	Resilient Base - Extended Studs
Motor Orientation	Horizontal	Drive End Bearing	Ball
Opp Drive End Bearing	Ball	Frame Material	Rolled Steel
Shaft Type	Single Special Extension	Overall Length	8.50 in
Frame Length	4.25 in	Shaft Diameter	0.500 in
Shaft Extension	2.81 in	Assembly/Box Mounting	F1 ONLY
Outline Drawing	A-SS74126-425	Connection Drawing	9513130

SS74126LE

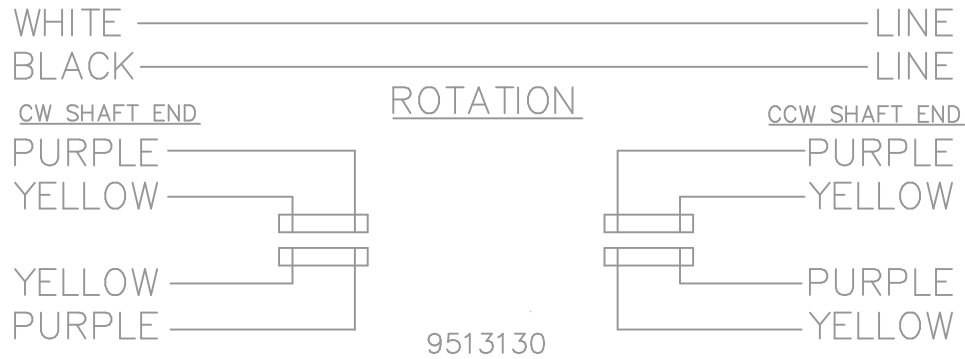


LEAD DESCRIPTION:  
 1 BLACK AND 1 WHITE LEAD WITH .50 BARE WIRE STRIP EXIT MOTOR THROUGH CONDUIT CONNECTOR WITH ADJUSTABLE THROAT OPENING. 35.00-37.00" LONG  
 PURPLE AND YELLOW REVERSING LEADS MOLDED INTO MATING PULL-APART PLUGS. 4.00-6.00 LONG.



DASH	C	XB
425	8.50	3.94
475	9.00	4.44

				TOLERANCES UNLESS SPECIFIED		ELECTRIC MOTORS GEARMOTORS AND DRIVES	DRAWN JMS 03/08/2005							
				DEC.	INCHES		CHK ML 03/08/2005							
				.X	±.1		APPD JET 03/08/2005							
				.XX	±.02		SCALE 1=1							
				.XXX	±.005		REF							
				.XXXX	±.0005	MAT'L.								
				ANG	±7'30"	FINISH								
NO.	REVISION			BY & DATE	CHK	RFP		CAD FILE ss74126le		SIZE	DRAWING NO.	PAGE	OF	REV.
THIS DRAWING IN DESIGN AND DETAIL IS OUR PROPERTY AND MUST NOT BE USED EXCEPT IN CONNECTION WITH OUR WORK ALL RIGHTS OF DESIGN AND INVENTION ARE RESERVED THIS IS AN ELECTRONICALLY GENERATED DOCUMENT - DO NOT SCALE THIS PRINT											A	SS74126LE		



				TOLERANCES UNLESS SPECIFIED			DRAWN TOM 09/19/1988	
				DEC.	INCHES		CHK	
				.X	±.1		APPD MS 09/20/1988	
				.XX	±.02		SCALE 1=1	
3	REDRAWN IN AUTOCAD	JMS 03/11/2005		.XXX	±.005	TITLE CONNETION DIAGRAM		REF
2	NEW DRAWING	TOM 09/19/1988		.XXXX	±.0005	MAT'L.		FMF
NO.	REVISION	BY & DATE	CHK	ANG	±7'30"	FINISH		PREV
THIS DRAWING IN DESIGN AND DETAIL IS OUR PROPERTY AND MUST NOT BE USED EXCEPT IN CONNECTION WITH OUR WORK ALL RIGHTS OF DESIGN AND INVENTION ARE RESERVED THIS IS AN ELECTRONICALLY GENERATED DOCUMENT - DO NOT SCALE THIS PRINT				RFP	CAD FILE 9513130		SIZE	DRAWING NO. PAGE OF REV.
				DIST	WP	A	9513130	3



\*\* Subject to change without notice.



**MARATHON ELECTRIC CORPORATION**  
TYPICAL PERFORMANCE CURVE for AC MOTOR

Customer

Curve at

115 Volts  
60 HZ  
0.25 HP

HP 0.25

PHASE 1

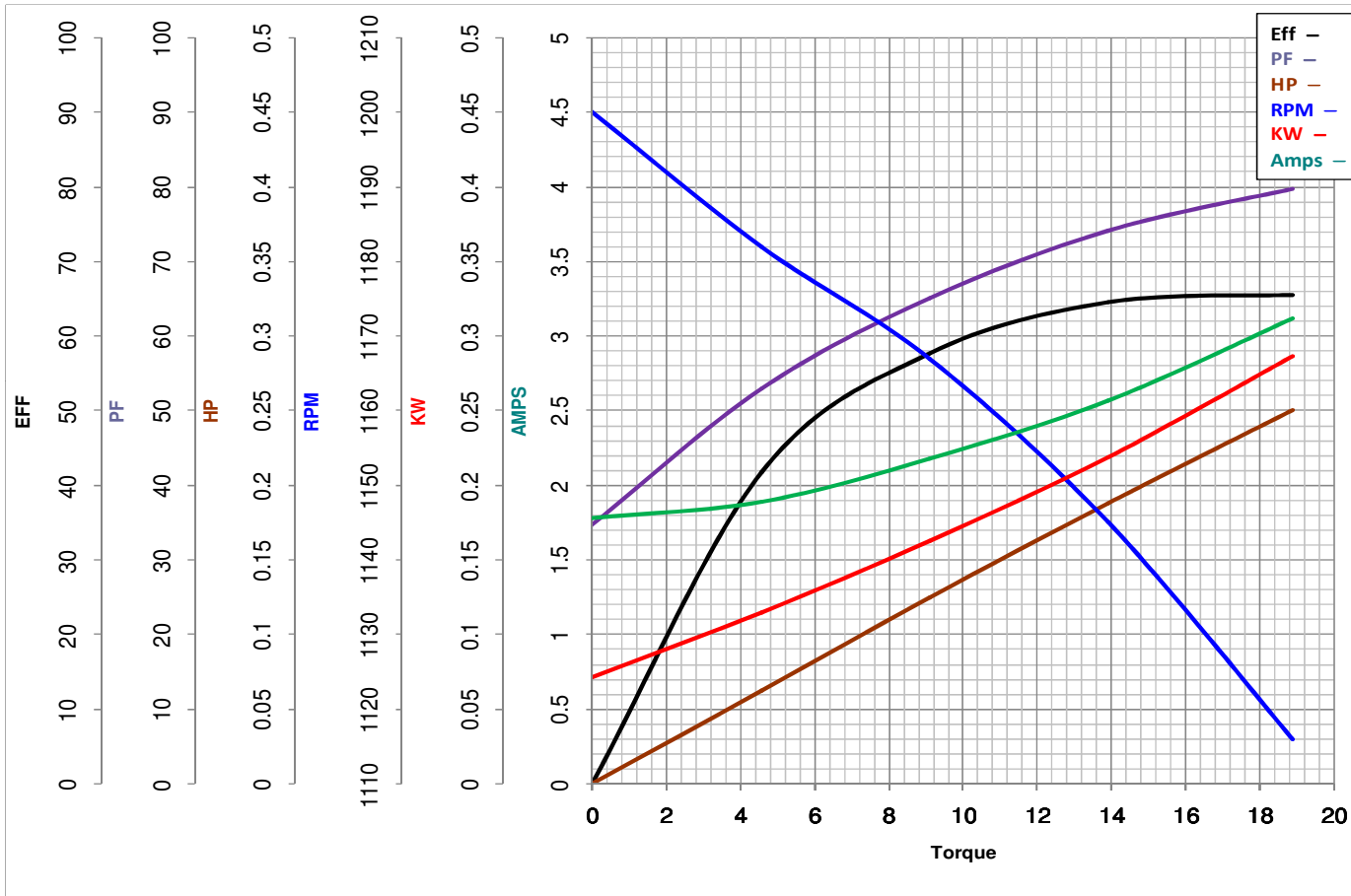
Model No 48A11T198

VOLTS 115

Catalog No X303

HZ 60

RPM 1075



Torque in Oz.Ft

FL TORQUE 18.9 Oz.Ft  
BD TORQUE 27.7 Oz.Ft  
LR TORQUE 5.53 Oz.Ft

FL AMPS 4.1  
PU TORQUE 5.2 Oz.Ft  
LR AMPS 8.1

WINDING PE486771-1

Date 1/17/2019